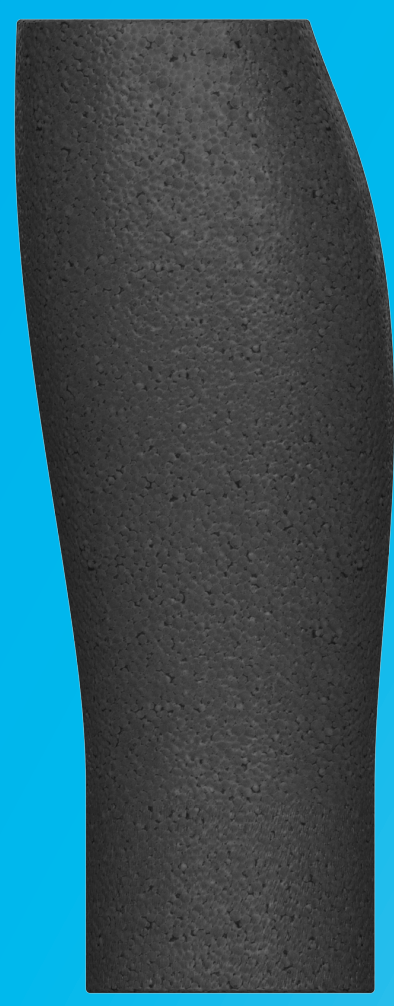


Circleg Transfemoral Cosmetic Cover

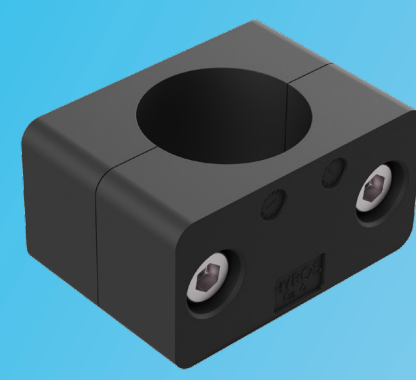
1

Measure and adjust

The cosmetic cover should fit tightly on the lower edge of the knee, leaving a 10mm gap between the lower end of the cosmetic cover and the upper edge of the foot cover. Therefore, measure the cover and cut it while assembled with a cutter if needed.



CCI-TF-SM
CCI-TF-ML



TCS1



Cutter



Screw driver
cross-head PZ3

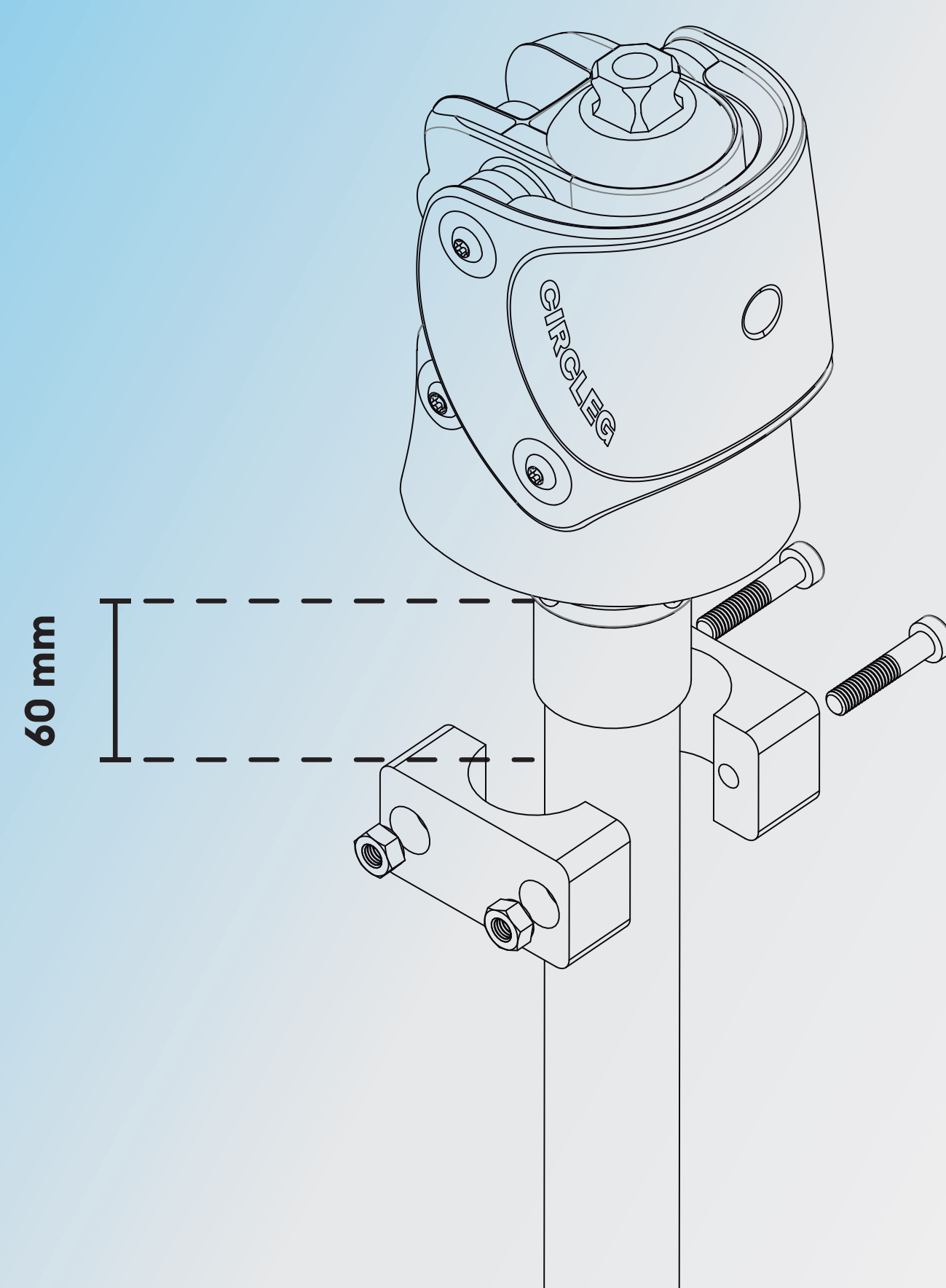


10 mm

2

Assemble and customize

Mount the clamp loosely to the pylon, place one half of the cosmetic cover on it, adjust the fit under the knee, then tighten the screws. Click the second cover half into place and finish with Circleg tape for a smooth, secure hold.



60 mm



Scan the code to get
the instruction video!

circleg.world
sales@circleg.world
support@circleg.world

IP-CCI-TF-EN V03 REV00

circleg